

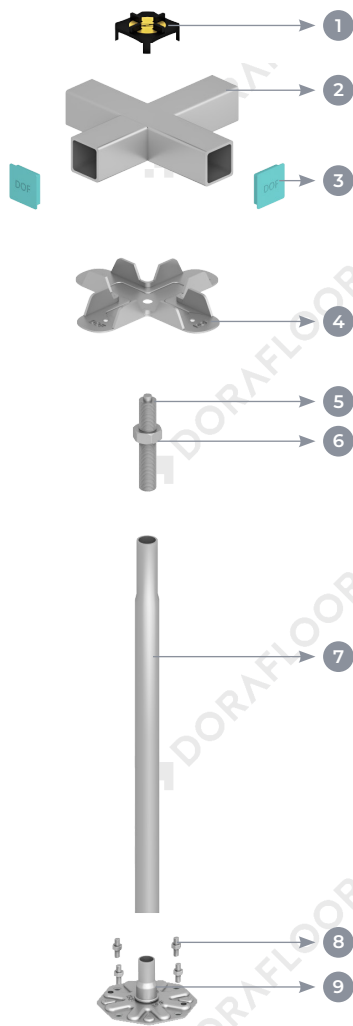
# DOF.SS-01

## Standart Seismic Pedestal

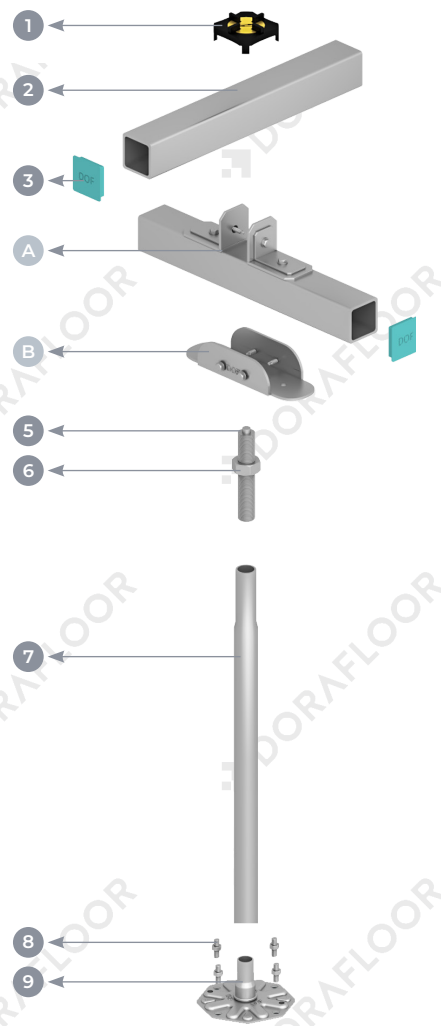
*Seismic systems designed to against seismic ground motion at non- standart heights provide maximum durability. These systems offer specially engineered structural sountions to minimize the effects of eathquakes, particularly tailored for non-standart building heights.*



DOF.SS-01 Standard Seismic Pedestal with Pipe Profile



- 1 Gasket and Copper Plate
- 2 Galvanized Steel Beam 40x40x3mm
- 3 End Cap
- 4 Clover Type Galvanized Steel Top Base thickness 3mm
- 5 Galvanized Steel M18x160 Rod
- 6 Galvanized Steel M18 Nut
- 7 Galvanized Steel Seismic Pedestal 25x2mm
- 8 Galvanized Steel Screw
- 9 Galvanized Steel Standard Lower Base thickness 3mm



- A U Type Galvanized Steel Corner Profile, thickness 3mm
- B Galvanized Steel U Shape Top Base thickness 3mm

DOF.SS-01 Pedestals are manufactured from galvanized steel pipe profiles and have a load-bearing capacity of 4 tons per piece. DOF.SS-01 pedestals are designed to be compatible with all types of panels, making them suitable for the installation of various flooring systems.

DOF.SS-01 pedestal system is installed at fixed intervals of 600x600 mm when using the clover-type top base, while it can be installed with flexible spacing when used with the U-type top base.

