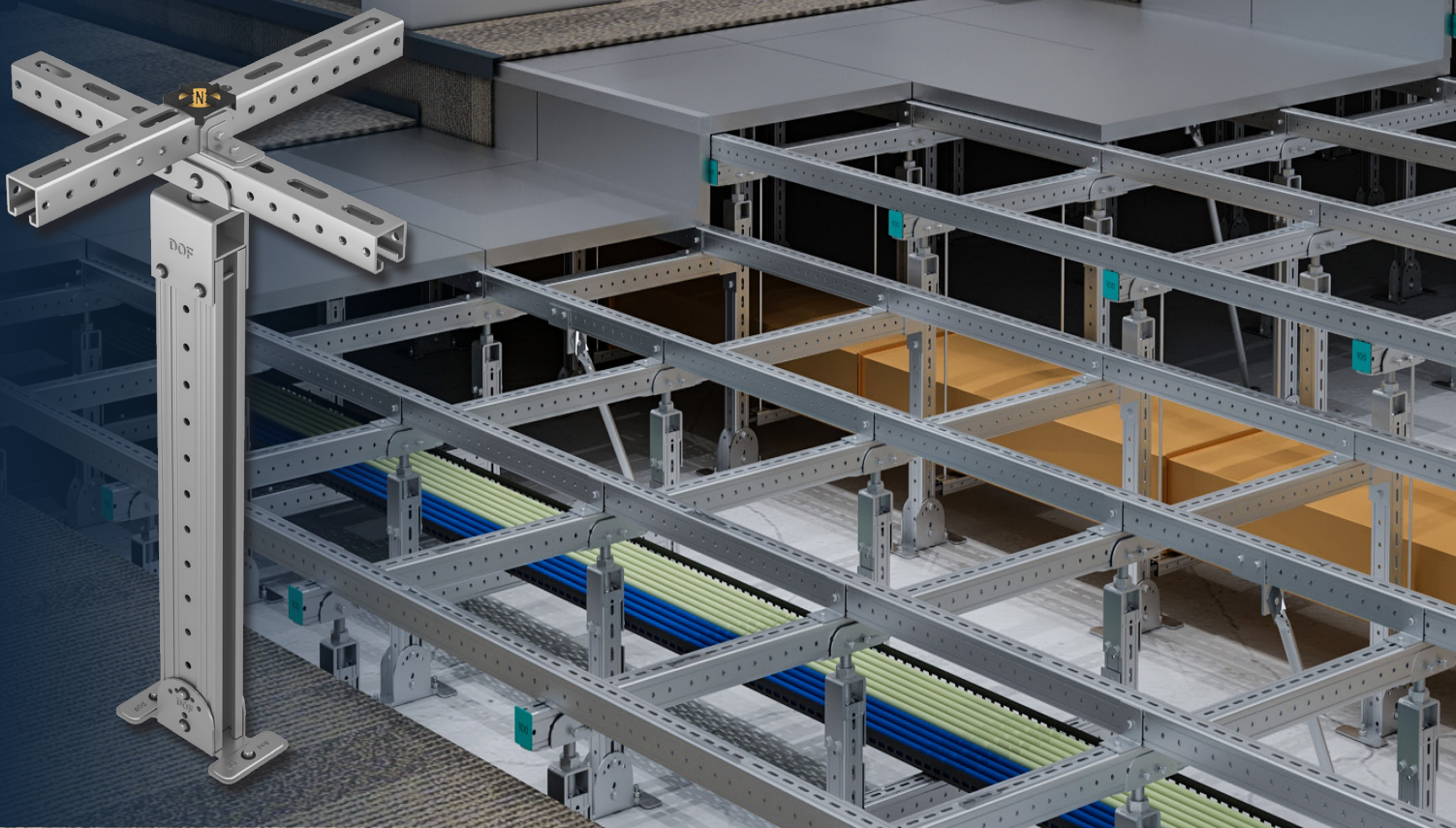


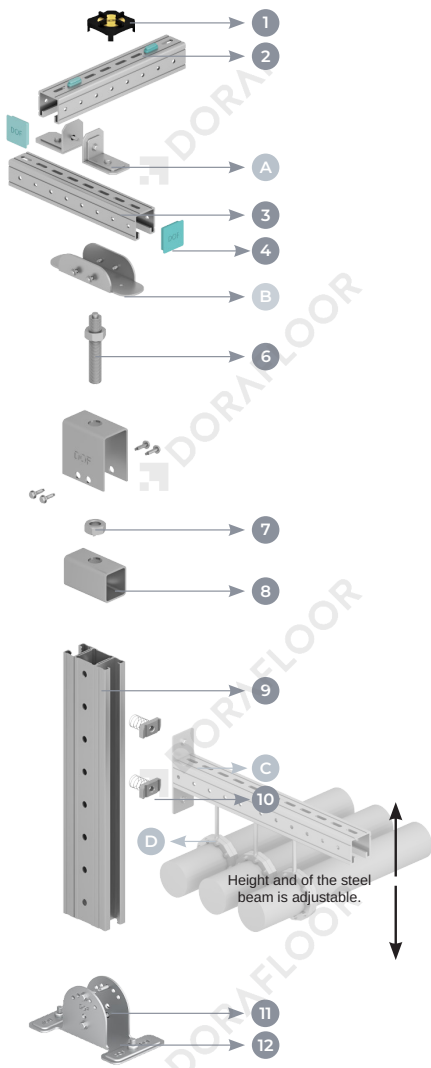
DOF.SSM-01

Smart Seismic Pedestal

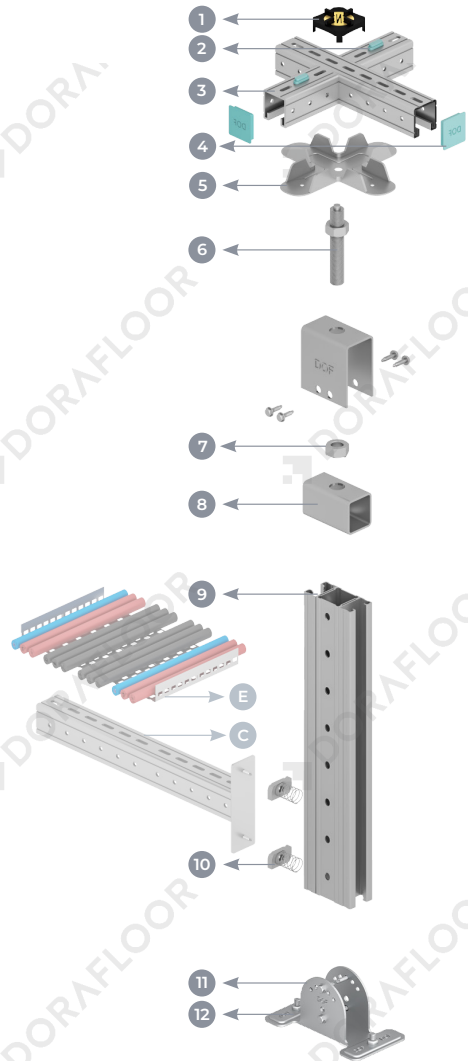
Seismic systems designed to against seismic ground motion at non-standart heights provide maximum durability. These systems offer specially engineered structural soutsions to minimize the effects of eathquakes, particularly tailored for non-standart building heights.



DOF.SSM-01 Smart Seismic Pedestal



- 1 Gasket and Copper Plate
- 2 Panel Holder
- 3 Galvanized Steel Beam 40x40x3mm
- 4 End Cap
- 5 Clover Type Galvanized Steel Top Base thickness 3mm
- 6 Galvanized Steel M18x160 Rod
- 7 Galvanized Steel M18 Nut
- 8 Galvanized Steel Adjustment Profile
- 9 Galvanized Steel Smart Seismic Pedestal 40x80x3mm
- 10 Galvanized Steel Spring Nut
- 11 Galvanized Steel Adjustable Lower Base
- 12 Galvanized Steel Screw
- A Galvanized Steel Corner Profile thickness 3mm
- B U Type Galvanized Steel Corner Profile, thickness 3mm
- C Galvanized Steel Beam 40x40x3mm*
- D Galvanized Steel Pipe Clamps*
- E Galvanized Steel Cable Tray*



With their high load-bearing capacity, vibration-damping properties, and modular design, Smart Seismic Systems easily adapt to various facility conditions, delivering superior performance in project time management and installation safety. The system is engineered for fast assembly, easy maintenance, and long-term durability at every stage of engineering infrastructure.

* Optional solutions that can be integrated into the substructure system, such as ventilation systems, cable trays, and pipe clamps. These components are evaluated by our technical team based on the project and included if necessary.

